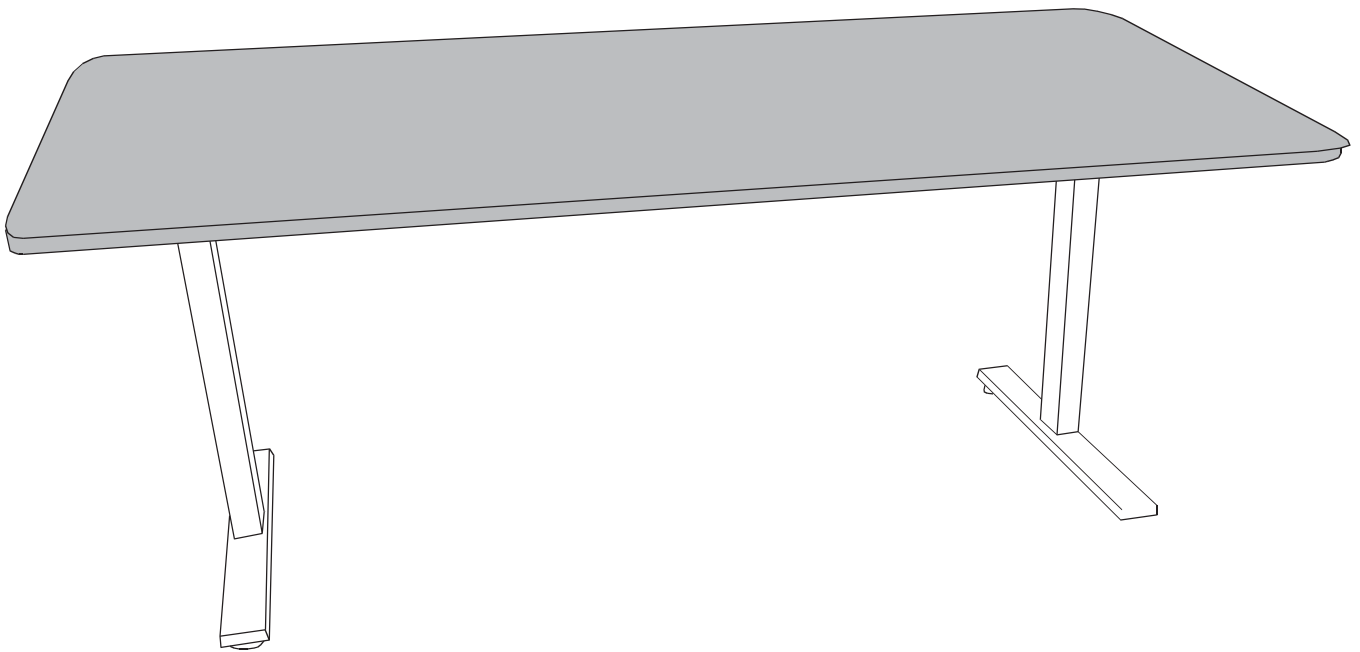


Assembly instruction



Make sure no obstacles are in the desk's path.
 Make sure the desktop is not touching any walls.
 Make sure all cords are appropriate length to accommodate the change in height.

WARNING
 Pinch Point! Keep hands and fingers clear.

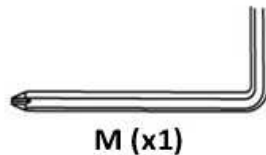
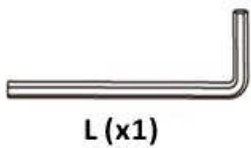
- Keep children away from electric height-adjustable desks, control units and handsets. There is a risk of injury and electric shock.
- Keep all electrical components away from liquids.
- Do not sit or stand on the desk frame. Do not crawl or lie under the desk frame.
- Do not open any of the components - legs, control box, or switch. There is a danger of electric shock.
- This product is designed with a duty cycle of 10%. (2 min. on, 18 min. off).

USE/LIABILITY

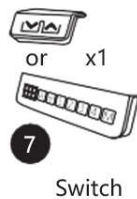
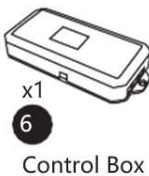
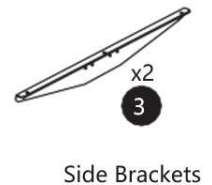
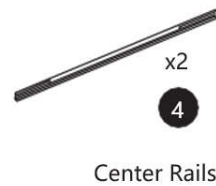
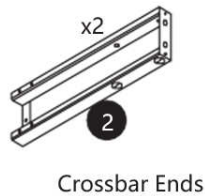
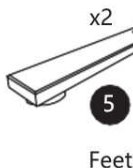
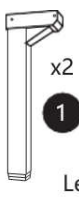
- This height adjustable desk has electric motors and is designed for use in dry work areas only.
- The desk height is adjustable so that it can be positioned at the most ergonomically suitable height.
- Any other use is at user's risk.
- Under no circumstances does the manufacturer accept warranty claims or liability claims for damage caused from improper use or handling of the desk frame.

PARTS

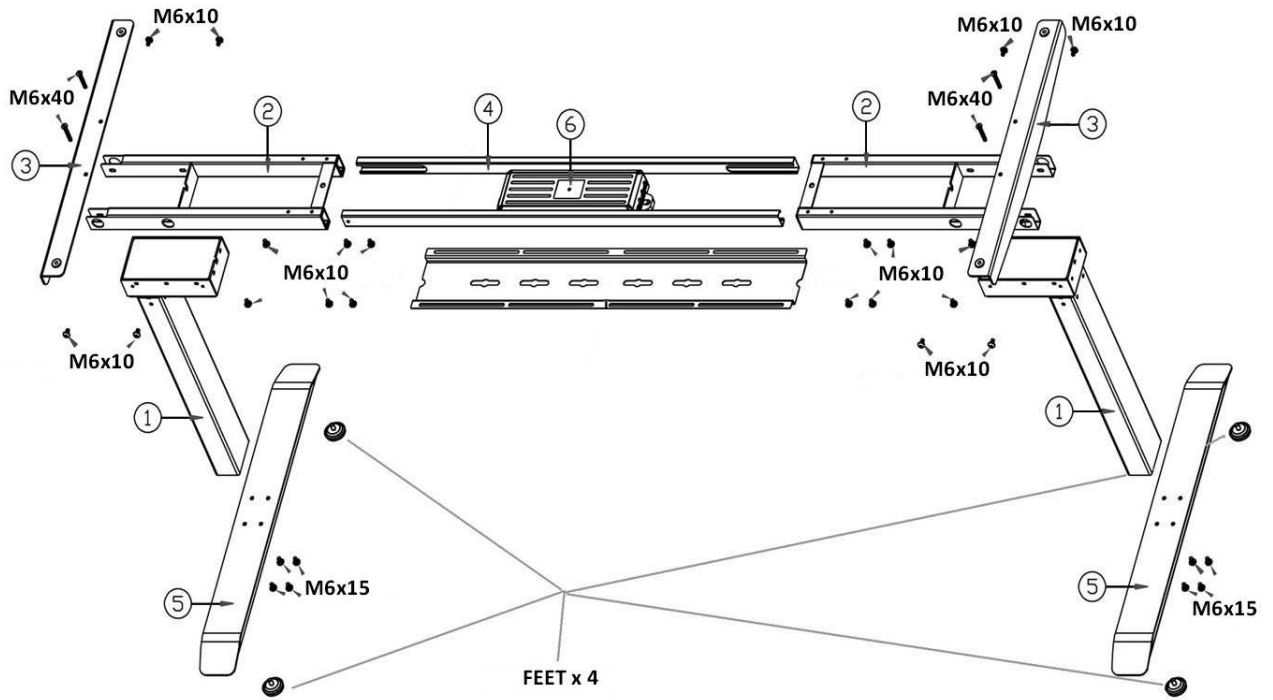
Required tools



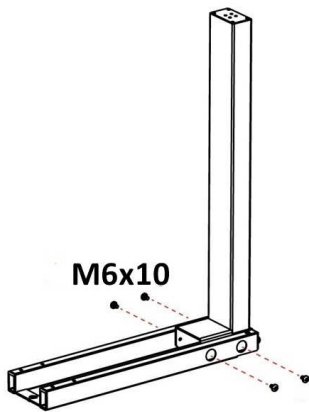
Components



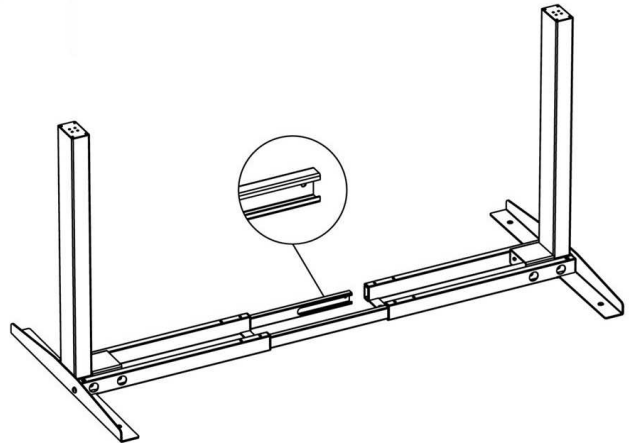
ASSEMBLY INSTRUCTION



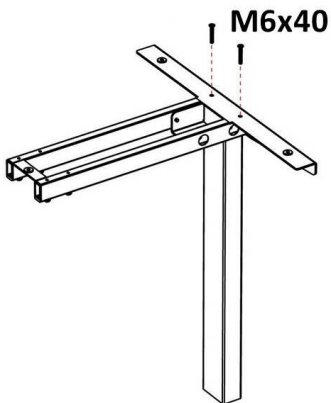
1



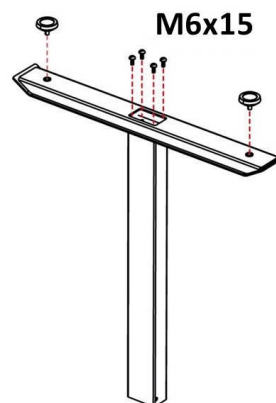
3



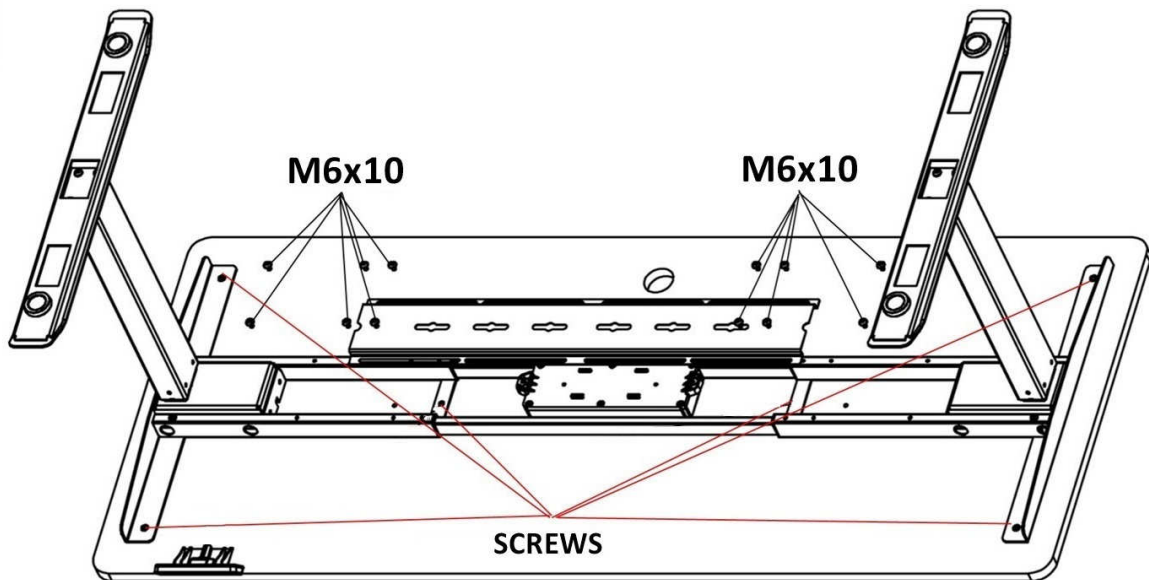
2



4



5

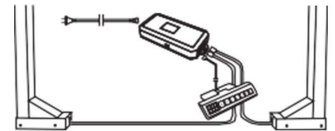


Connect the LC cables (P9), switch cable (7) and the power cord (P8) to the control box (6). Use the adhesive-backed cable clips to secure the cables so they don't sag.

Double check that the wood screws are not too long for your desktop and won't puncture the surface when screwed all the way in.

We recommend that you pre-drill any holes needed for fasteners connecting.

Double check that the desk base is properly positioned on the underside of the desktop.



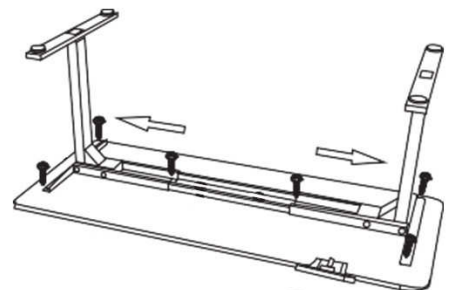
Attach the desk base assembly to the underside of the desktop using six M5*16 screws (for desktops more like 20 mm thickness):

- 2 per side bracket - 4 in total,
- 1 per crossbar end - 2 in total.

Attach the control box (6) to the middle of the crossbar, adjust the frame length with top, then covered the cable tray with crossbar ends. Use M6*10 stighten screws. Ensure enough clearance at the wire ports for cable connections.

The switch may be placed anywhere along the front edge of the desktop but we recommend placing it toward an end so it does not interfere with your chair when seated.

Use two M5*16 wood screws to attach the switch to the desktop.



Plug the power cord into a 110 – 240 V outlet.

Make sure no obstacles are in the desk's path.

Make sure the desktop is not touching any walls.

Make sure all cords are appropriate length to accommodate the change in height.

Important: the desk must be reset prior to use.

Reset procedure: press nad HOLD the DOWN BUTTON on the switch until the desk reaches its lowest height. Release the DOWN button. Press and hold the DOWN button again until the LED display „RST”. Release the DOWN button. Press nad hold the DOWN button again until the desk lowers a little bit more, slightly rises and stop. Release the DOWN button. Your desk is now ready to use.

If Your desk is not functioning properly it may need to be reset. Unplug the power cord for 20 seconds. Plug the power cord back in and follow the RESET procedure.